

Part-no. 5101 0002 ..

Applications
decks, holds, industrial areas, etc.

Approvals
according to the rules of relevant classification societies, additional VDE and IEC

Protection class
IP 67

Housing
stainless steel seamless deep drawn, powder coated white

Diffuser
safety glass

Reflector
aluminium anodized

Lamp base
R 7s

Lamps (not included)
halogen lamp 750W, 1000W, 185.7 mm

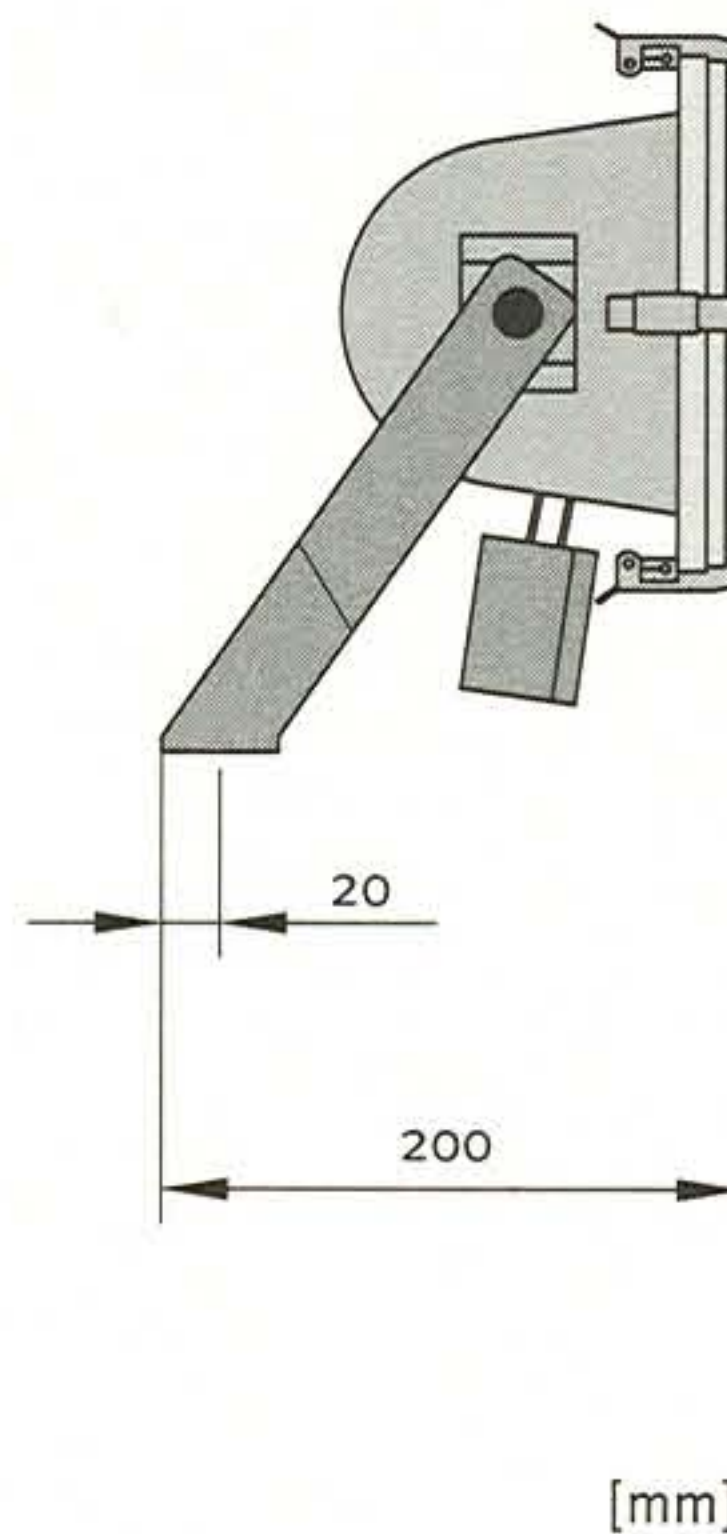
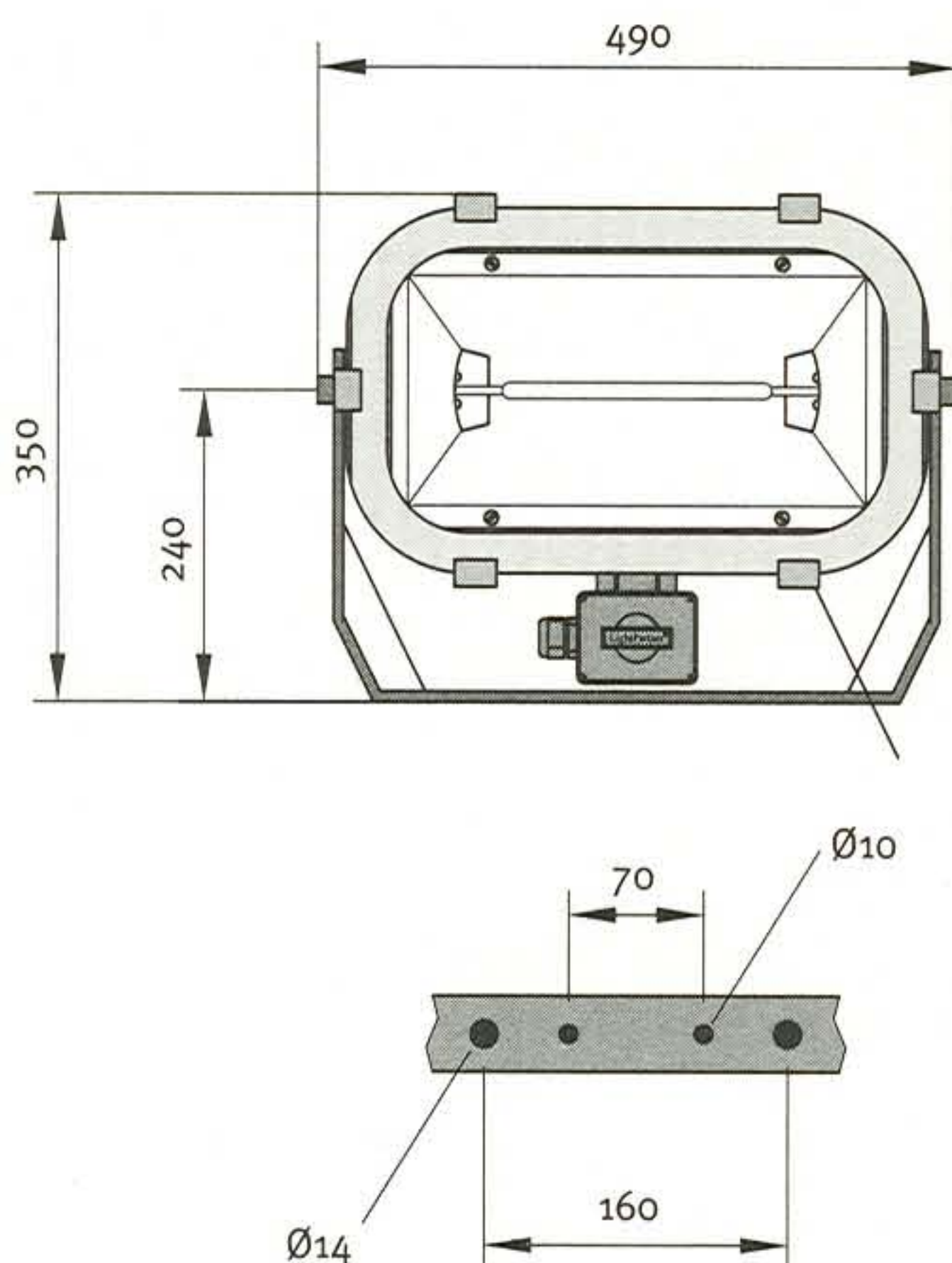
Electric
230V, flexible wiring, high temperature resistant

Cable entry
junction box, 1 cable gland brass, M24x1.5 with earthing insert

Mounting
adjustable bracket, stainless steel, 4 mounting holes, Ø 10 mm and Ø 14 mm

Weight
7.5kg

- Options**
- narrow beam reflector
 - halogen lamp 500W, 1000W with E 40 base on request
 - UL-Approval



[mm]