

Part-no. 5101 0006 ..

**Applications**  
decks, holds, industrial areas, etc.

**Approvals**  
according to the rules of relevant classification societies, additional VDE and IEC

**Protection class**  
IP 67

**Housing**  
stainless steel seamless deep drawn, powder coated white

**Diffuser**  
safety glass

**Reflector**  
aluminium anodized

**Lamp base**  
E 40

**Lamps** (not included)  
high pressure sodium lamp (HPS), metal halide (MH) lamp 250W/ 400W

**Electric**  
230V, flexible wiring, high temperature resistant

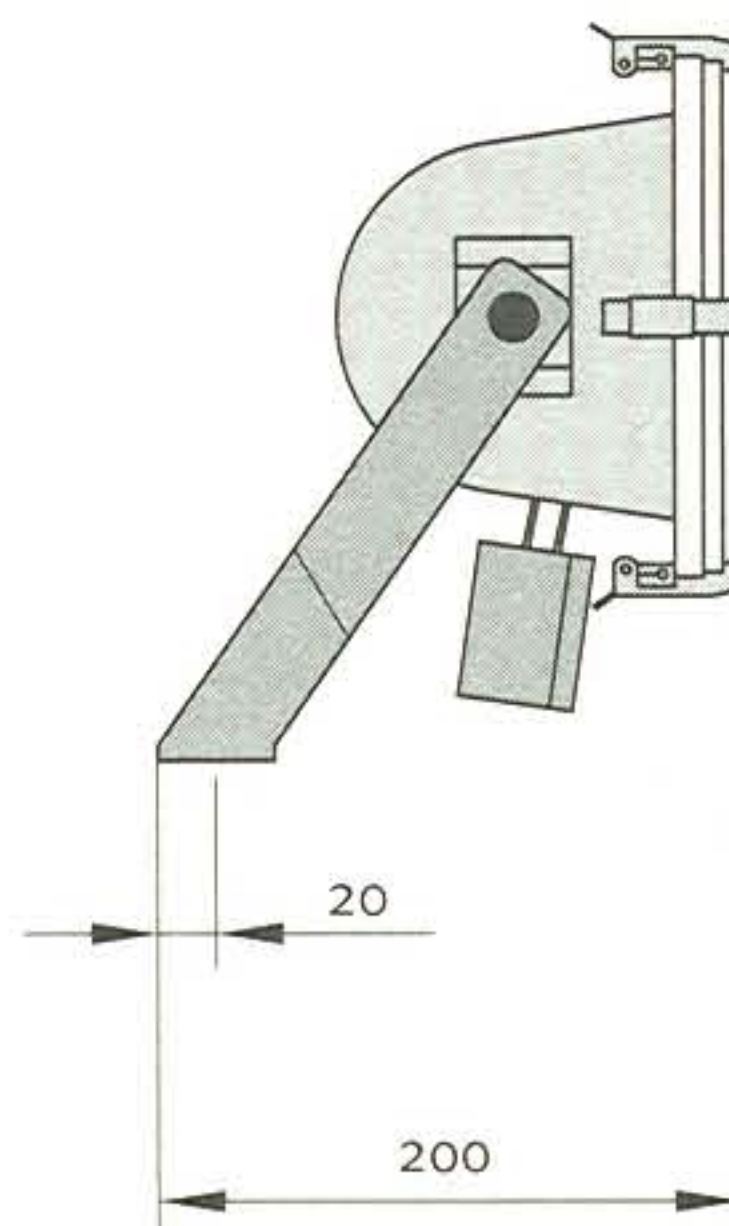
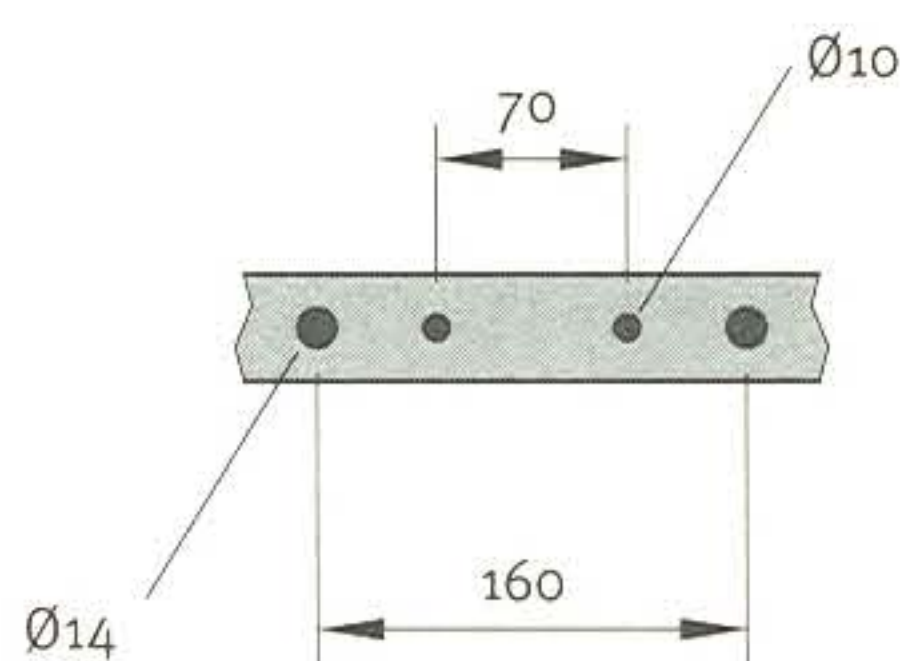
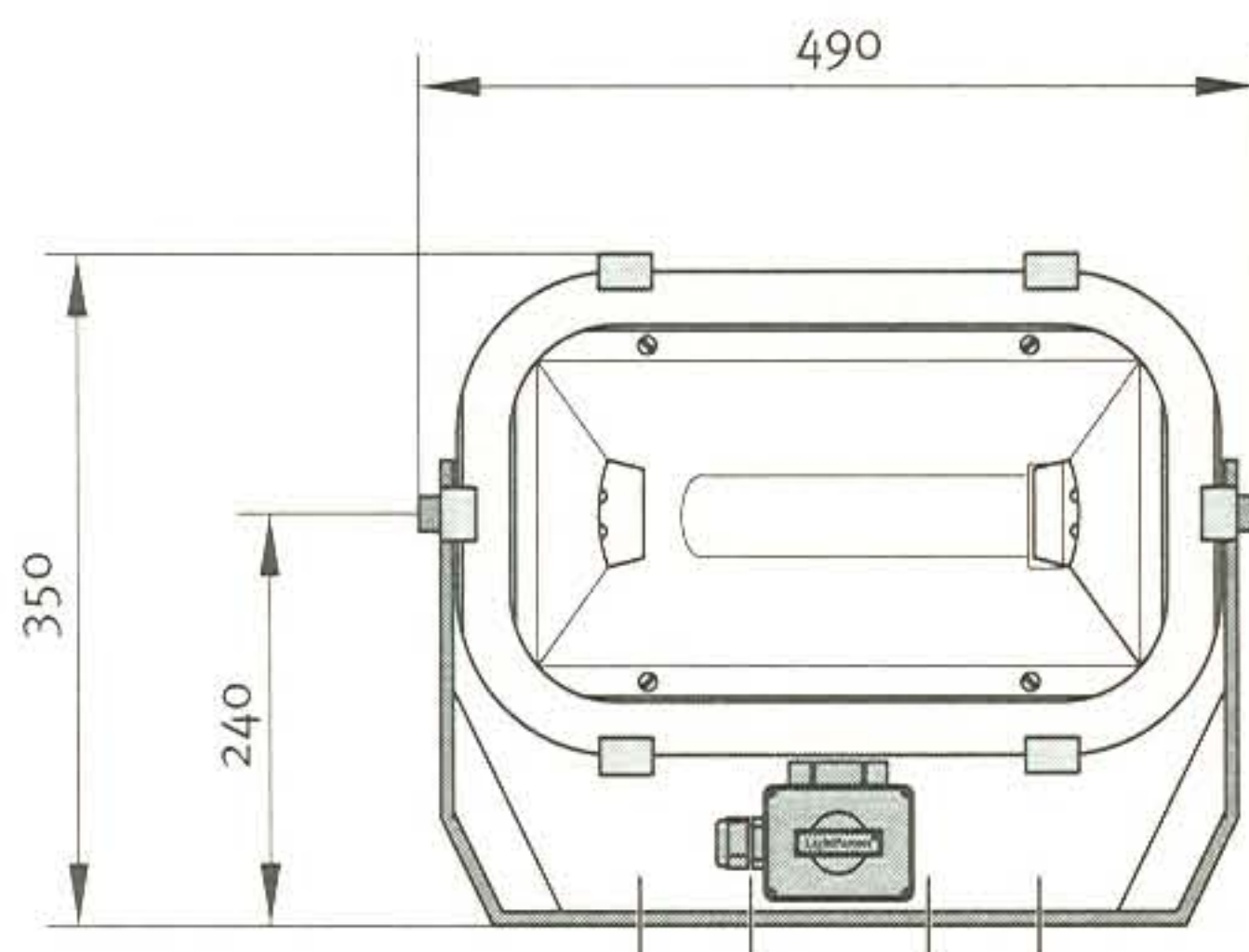
**Cable entry**  
junction box, 1 cable glands brass, M 24x1.5, with earthing insert

**Mounting**  
adjustable bracket, stainless steel, 4 mounting holes, Ø 10 mm and Ø 14 mm

**Weight**  
7.7kg

**Options**  
• narrow beam reflector  
• UL-Approval

**Remark**  
ballast unit VG 76 ... has



[mm]