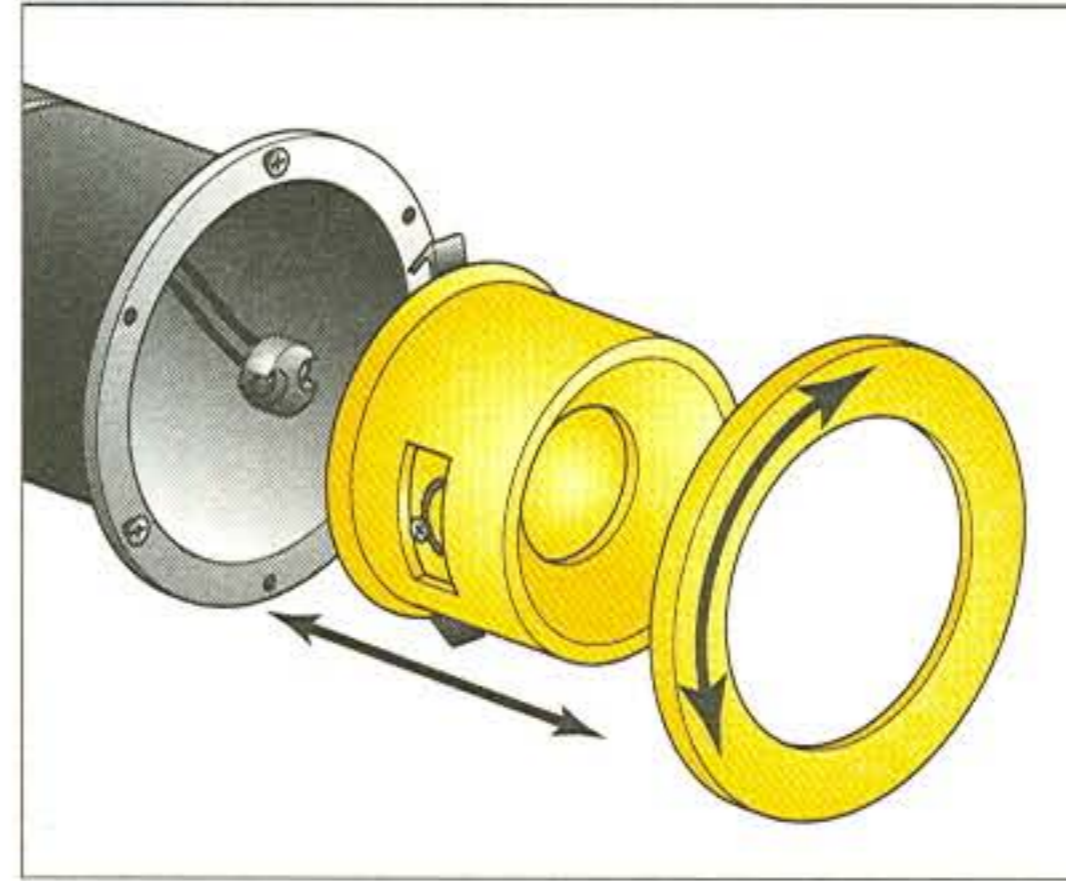




Quickfix-System



IP20

230V



DL 33 Part-no.	Type	adjustable	transformer
5301 0021 ..-xxx	A	-	included
5302 0001 ..-xxx	B	30°	included

Approvals

according to the rules of relevant classification societies, additional VDE and IEC

Protection class

IP 20

Housing

galvanized steel, powder coated

Reflector

gold, silver or colours in accordance with RAL or NCS

Cover ring

gold, silver or colours in accordance with RAL or NCS

Lamp base

GU 5.3/GX 5.3

Lamps (not included)

cool beam reflector halogenlamp 20-50W

Electric

230V, flexible wiring, heat resistant up to + 250°C, transformer included

Cable entry

3-pole plug

Mounting

3 mounting holes
Ø 3,5 mm
cut out: Ø 96 mm

Weight

0.6 kg

