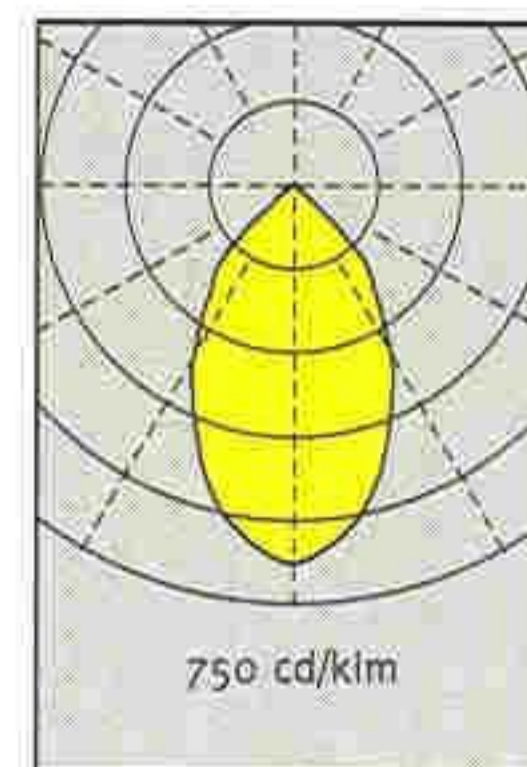




1



Part-no. 5101 0008 ..

### Applications

decks, holds, industrial areas, etc.

### Approvals

according to the rules of relevant classification societies, additional VDE and IEC

### Protection class

IP 67

### Housing

stainless steel seamless deep drawn, powder coated white

### Diffuser

safety glass

### Reflector

aluminium anodized wide beam

### Lamp base

R 7s

### Lamps (not included)

halogen lamp 200W, 300W, 500W, 114.2 mm

### Electric

230V, flexible wiring, high temperature resistant

### Cable entry

junction box, 1 cable gland brass, M24x1.5 with earthing insert

### Mounting

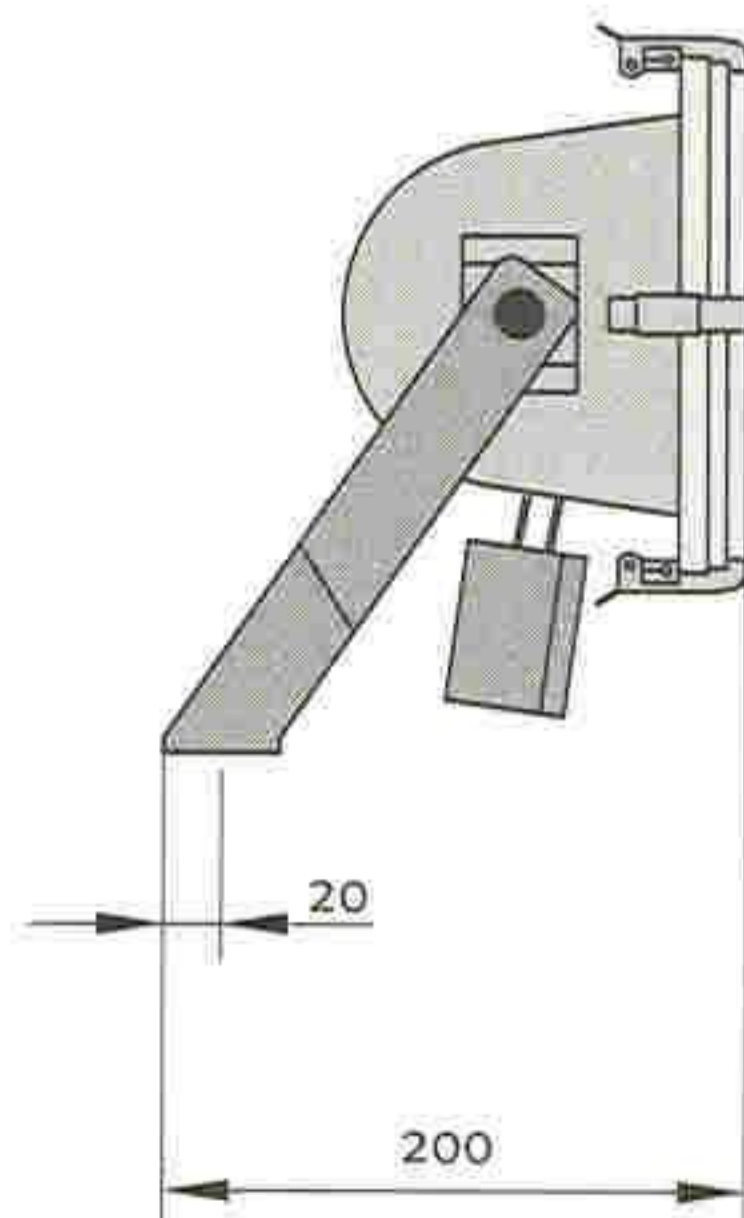
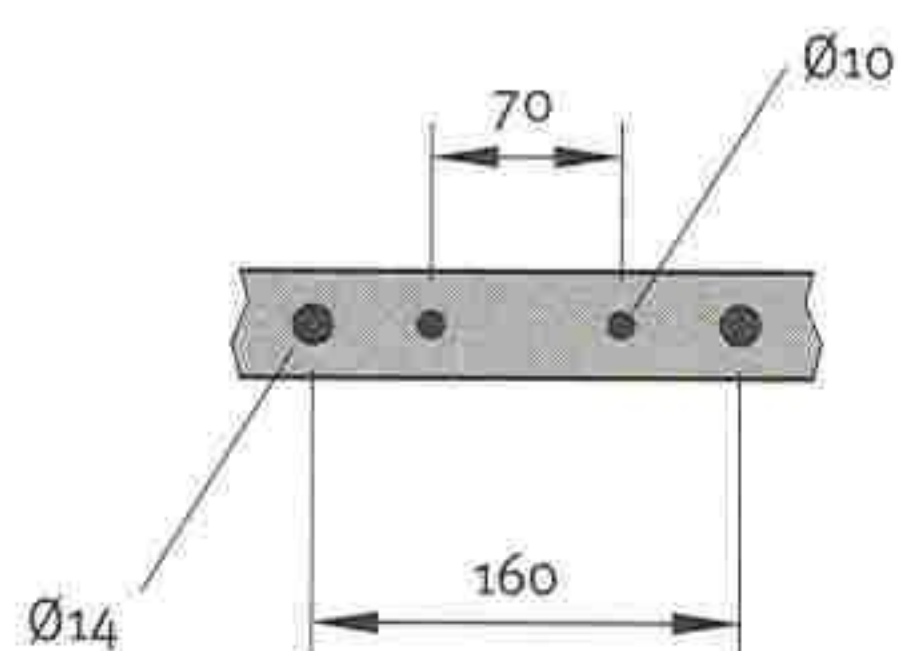
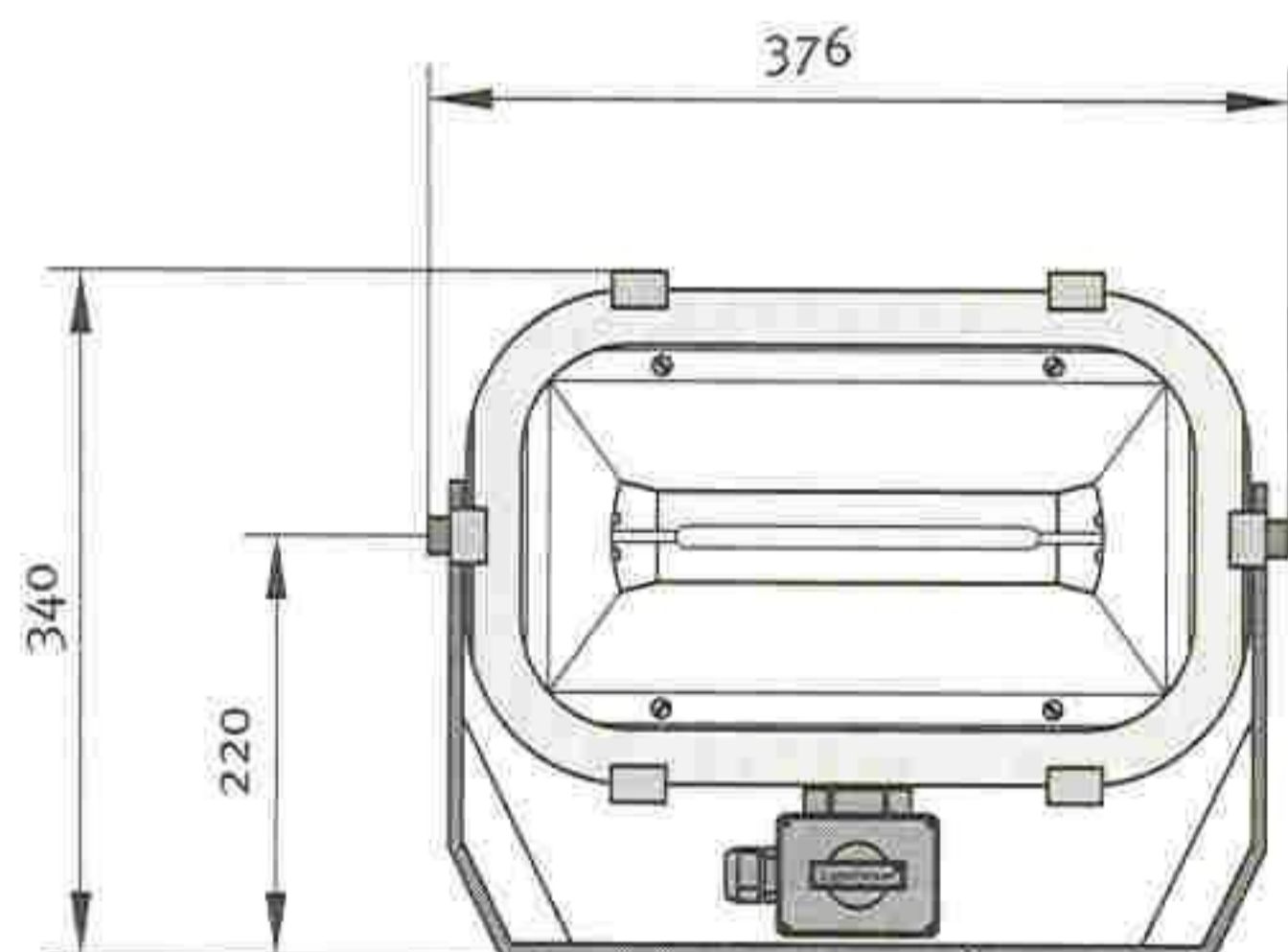
adjustable bracket, stainless steel, 4 mounting holes, Ø 10 mm and Ø 14 mm

### Weight

5.3 kg

### Options

- UL-Approval



[mm]